

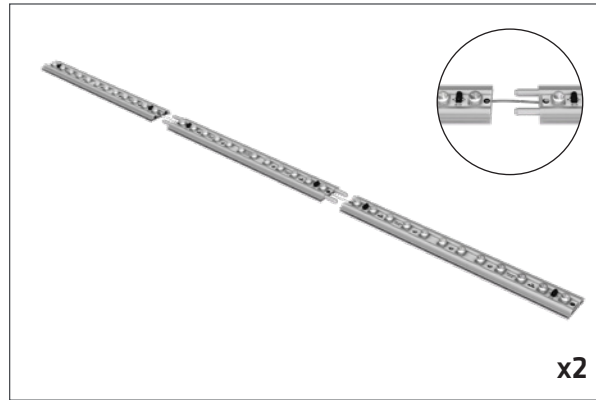
Set Up Instructions

DLW-3000L

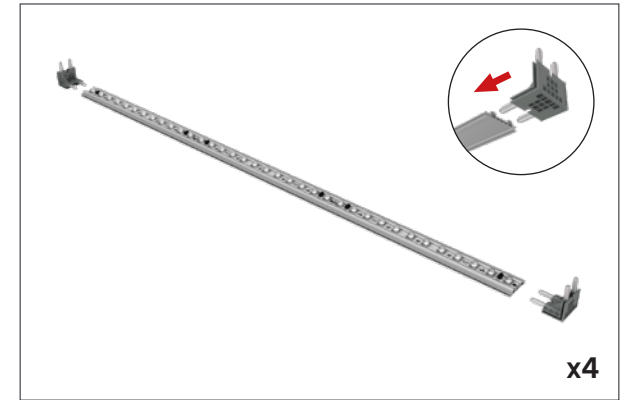
Step 1: Open hard case and remove all aluminum frames and pole from foam inserts.



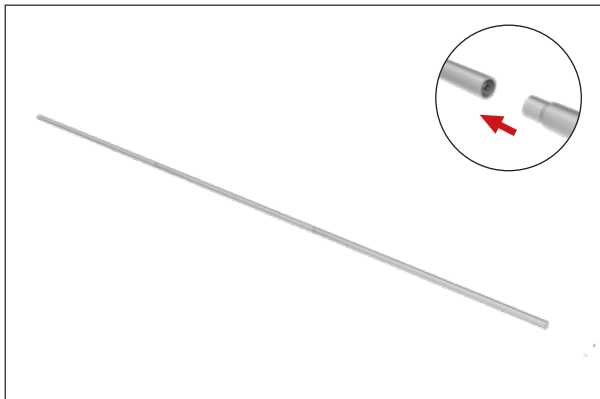
Step 2: Assemble the top and bottom of LED frames by pushing bungee corded sections together.



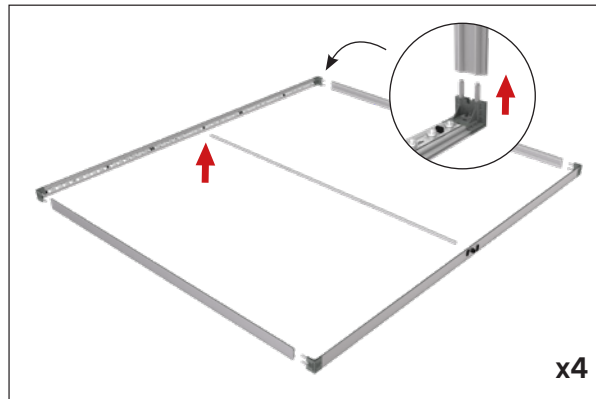
Step 3: Add 4 corners to the two LED frames.



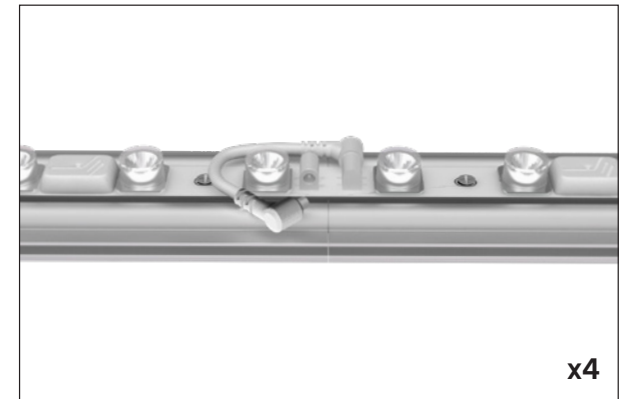
Step 4: Build the center power pole by push sections together.



Step 5: Join the 2 vertical side frames to top and bottom horizontal frames while placing the center power pole into position.



Step 6: Begin making the electrical connections between sections on the LED frames. x2 on top and x2 on bottom.

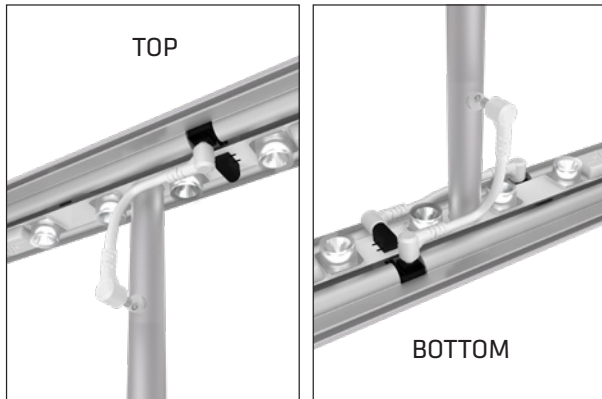


Set Up Instructions

DLW-3000L

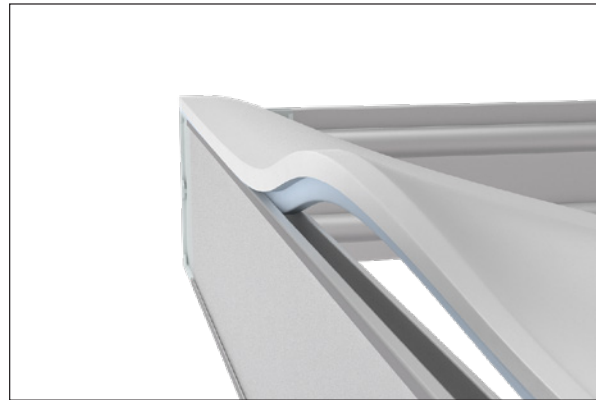
Step 7: Make electrical connections between the center pole and the top and bottom of frame.

Place frame on top of ground cloth before moving forward and installing graphics.

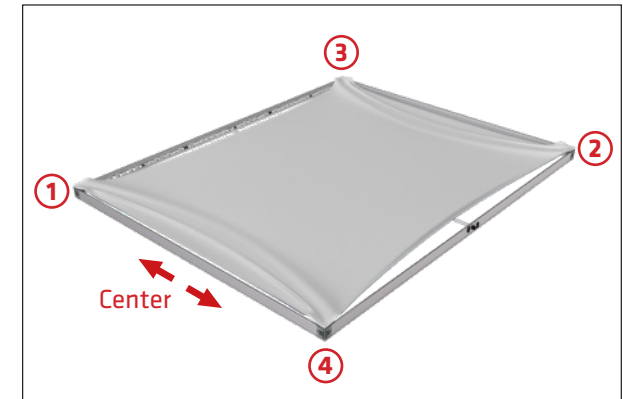


Step 8: To install a graphic start by inserting one eSEG™ Fabric Print into 4 corners of frame by pressing silicone into frame edge.

The fabric stretches on a diagonal and is easier to install by following Step 9.



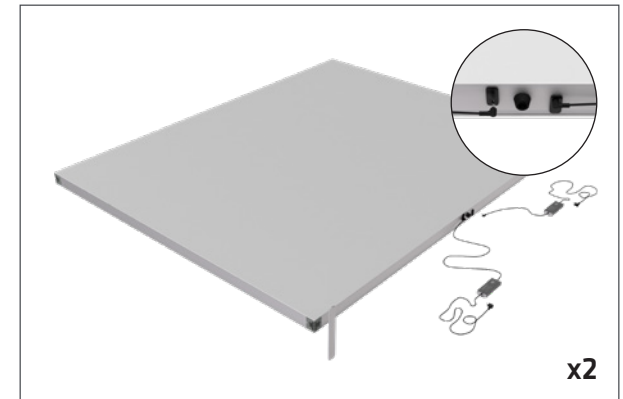
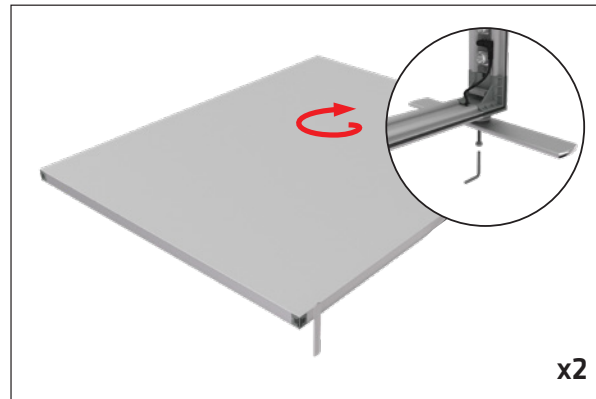
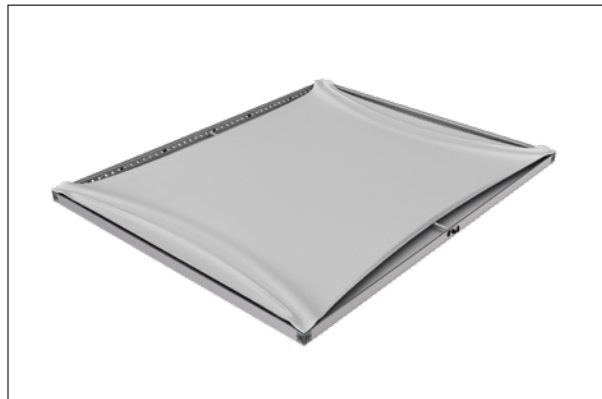
Step 9: Start in top corner (1) and then insert graphic into opposite bottom corner (2). Repeat on other side (3) and then (4). Then insert the graphic into center of each side and work back toward the corners.



Step 10: Repeat Step 9 for the reverse side of frame.

Step 11: Screw feet into 2 bottom corners using hex tool provided.

Step 12: Plug power cords from power supply into the bottom of frame. Stand display into the upright position.



Set Up Instructions

OPTIONAL: Unroll frame covers and slide them into the groove of the frame from top to bottom. For use with one stand or on the outer two edges of multiple stands when connected together.



OPTIONAL: Connect frames together using u-clamp to create a continuous wall.

